


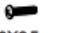





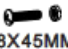
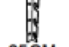



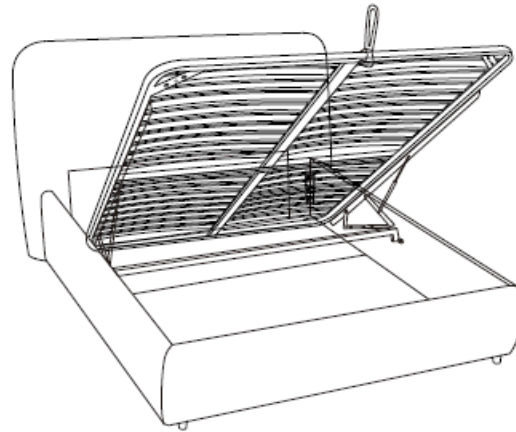
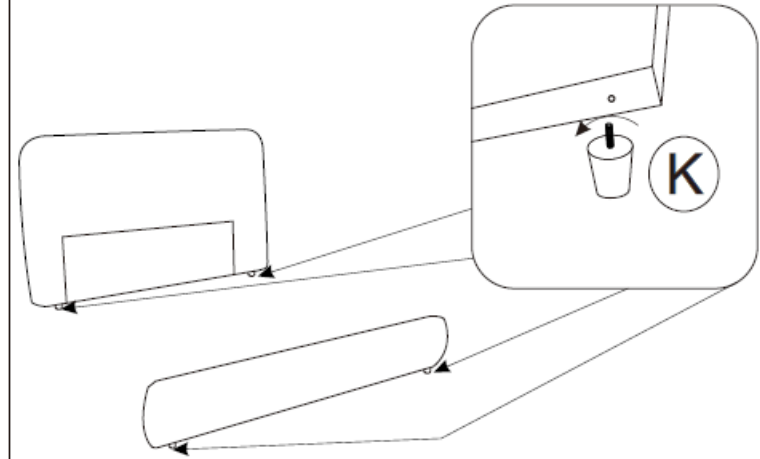


K658

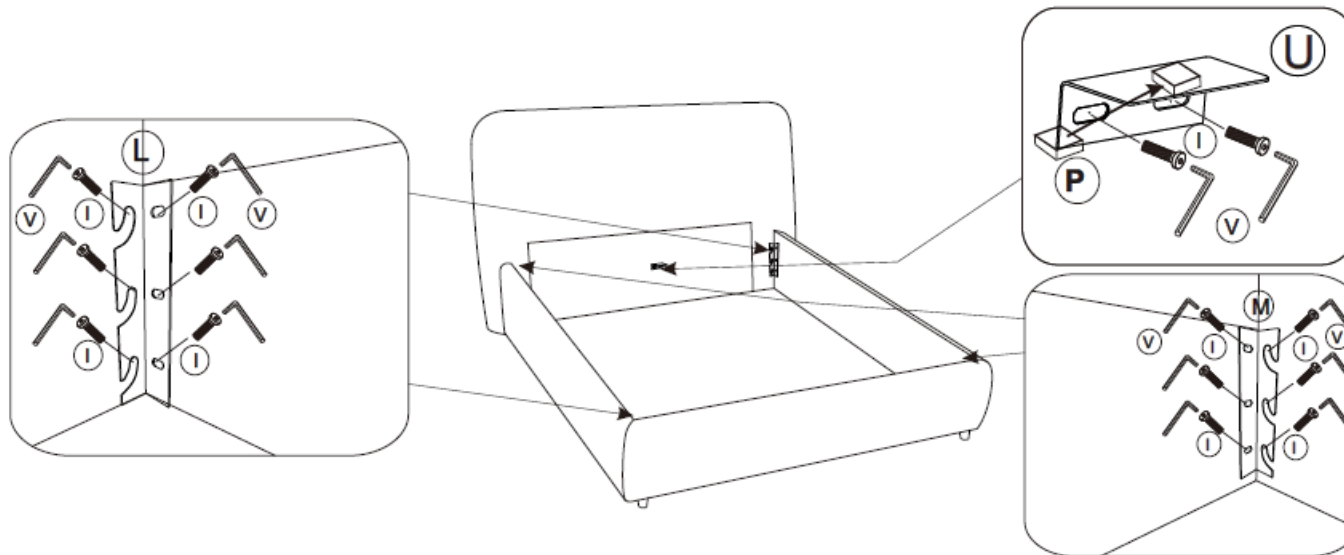
F:  x 1	
G:  x 4	
H:  x 1	Q:  x 18 M6X35mm
I:  x 48 M8X25MM	N:  x 4 5CM
J:  x 2	P:  x 8
K:  x 18 50mm	R:  x 6 M8X45MM
L:  X2 25CM	U:  x 1
M:  X2 25CM	V:  x 1 Ø5MM



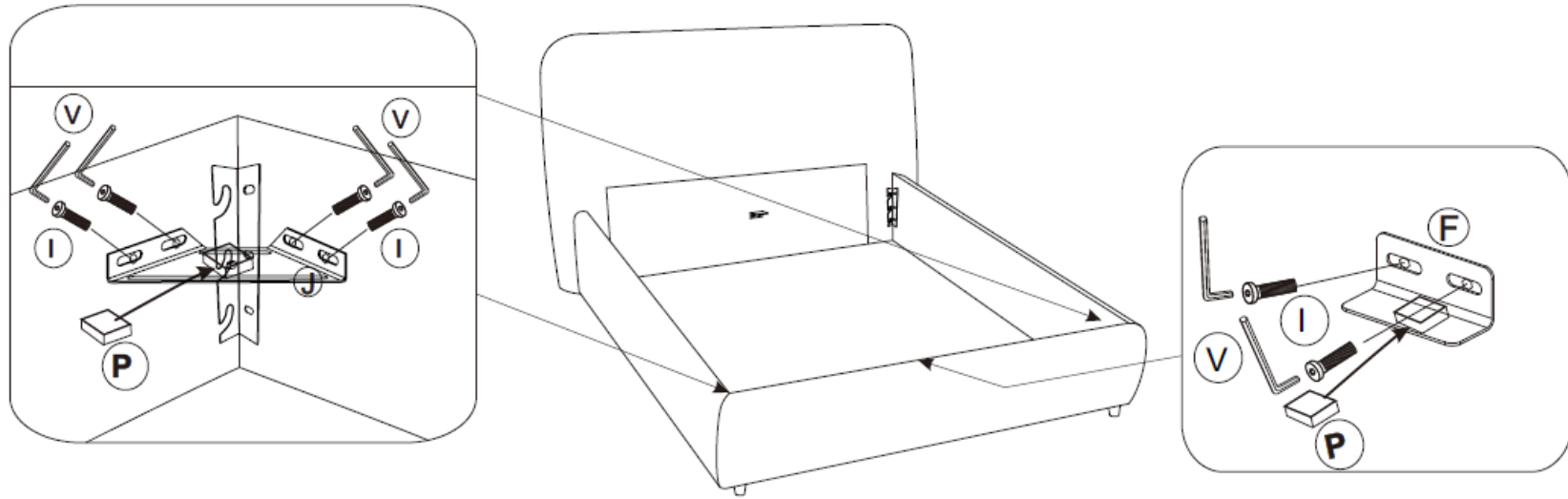
1.



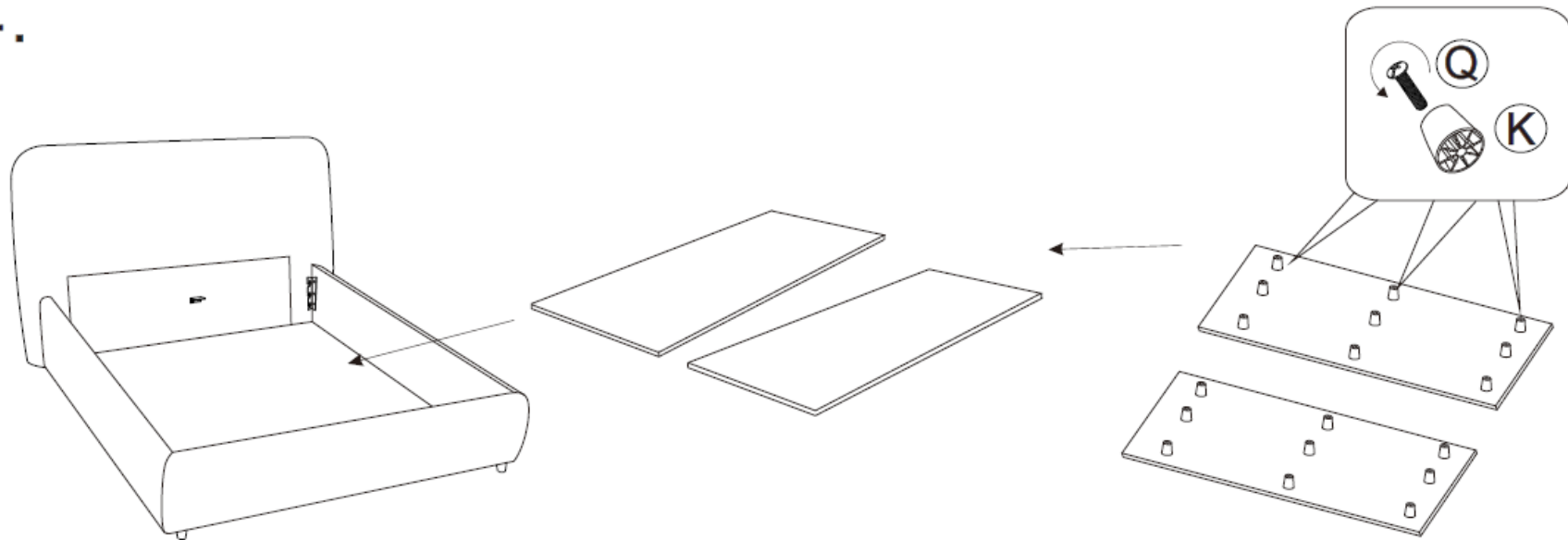
2.



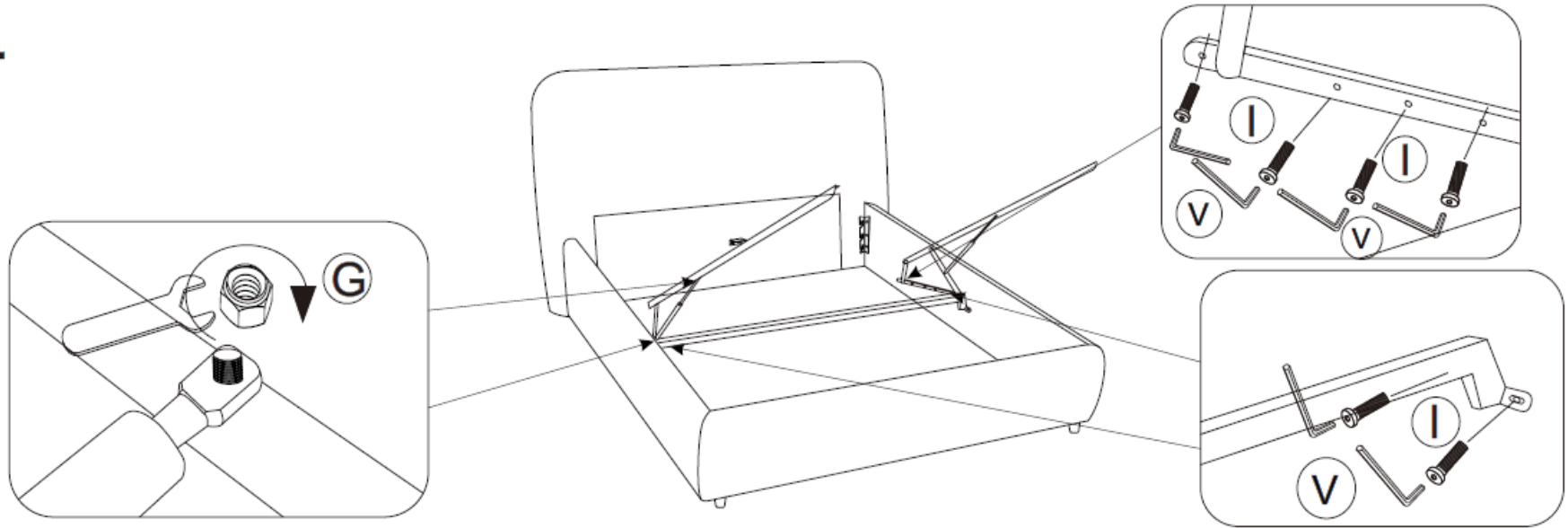
3.



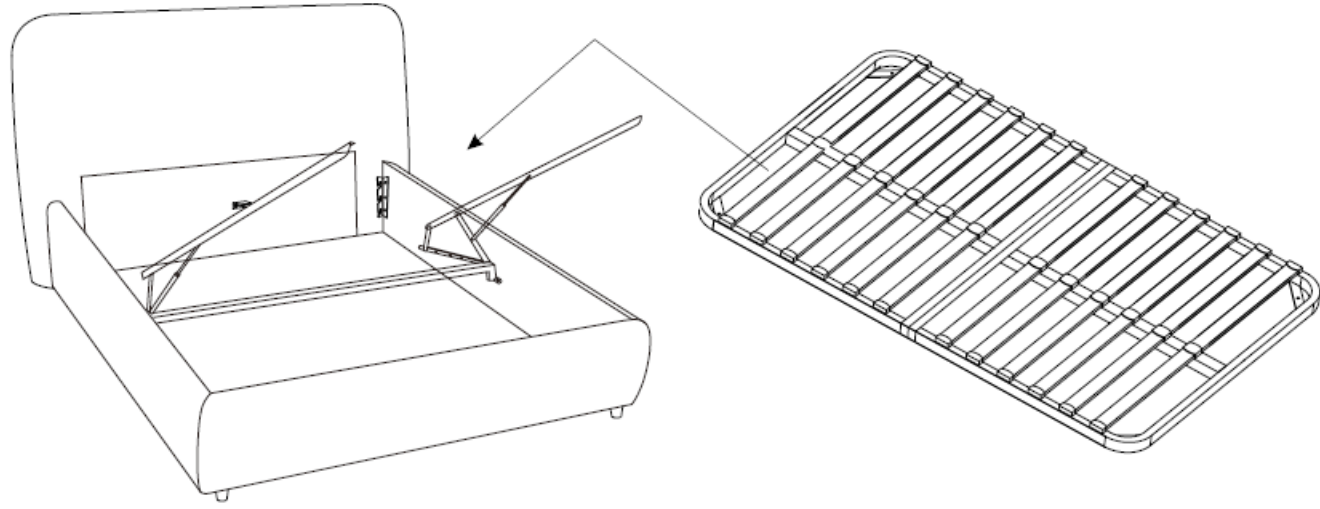
4.



5.



6.



7.

