


K650#

F:  x2
23CM

G:  x2

H:  x10
4X25MM

I:  x28
M8x25MM

J:  x4
M8x45MM

K:  x20
3MM

V:  x2
22CM

M:  x2
22CM

N:  x2
3CM

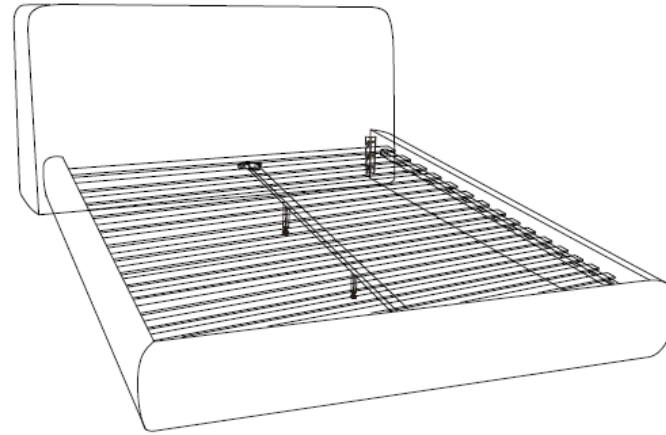
U:  x15
1CM

R:  x15
M8x40MM

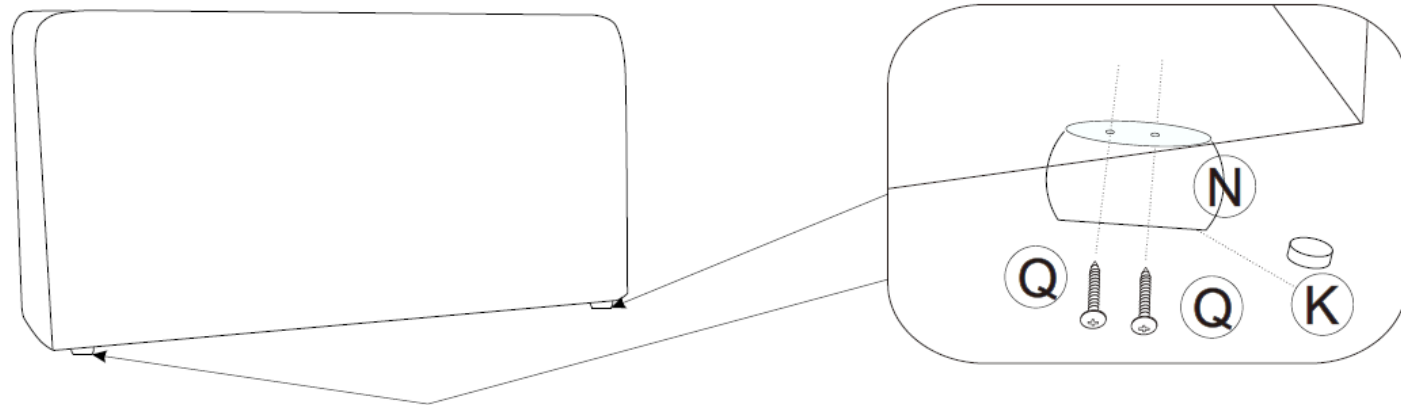
Q:  x4
5CM

O:  x1
Ø5MM

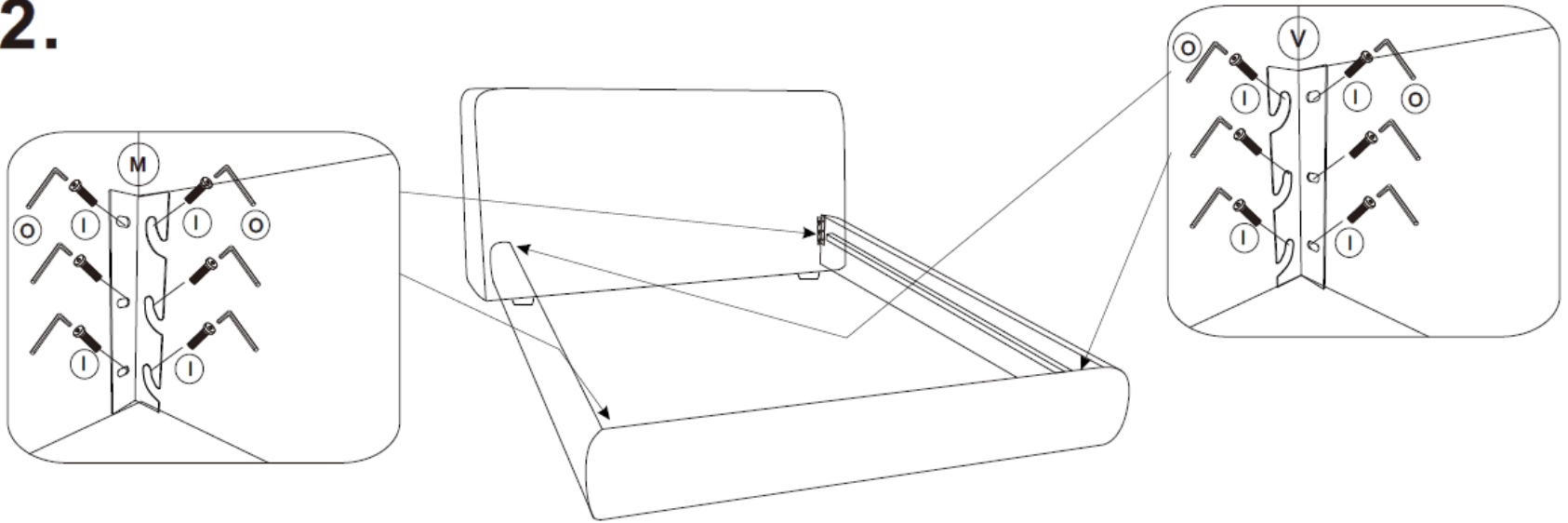
P:  x1
Ø14MM



1.

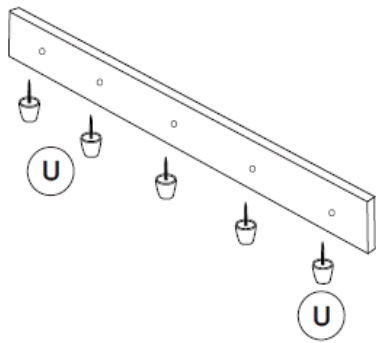


2.

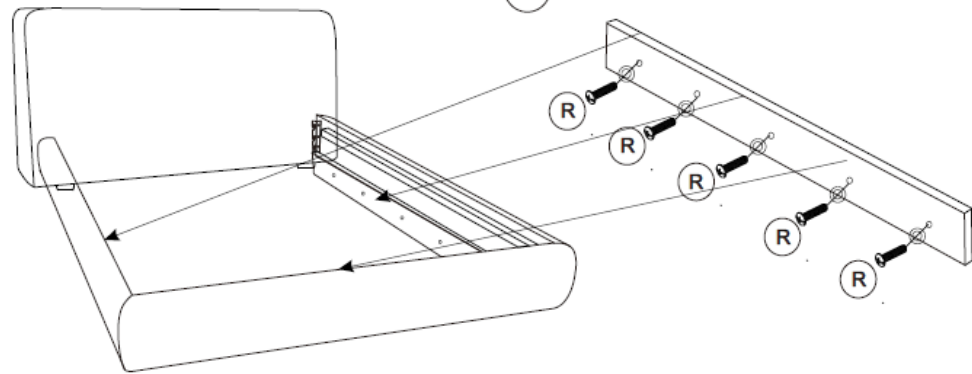


3.

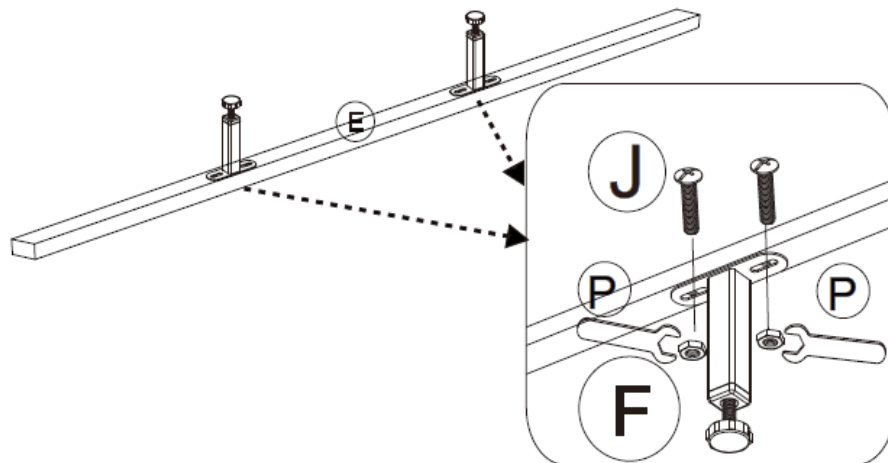
①



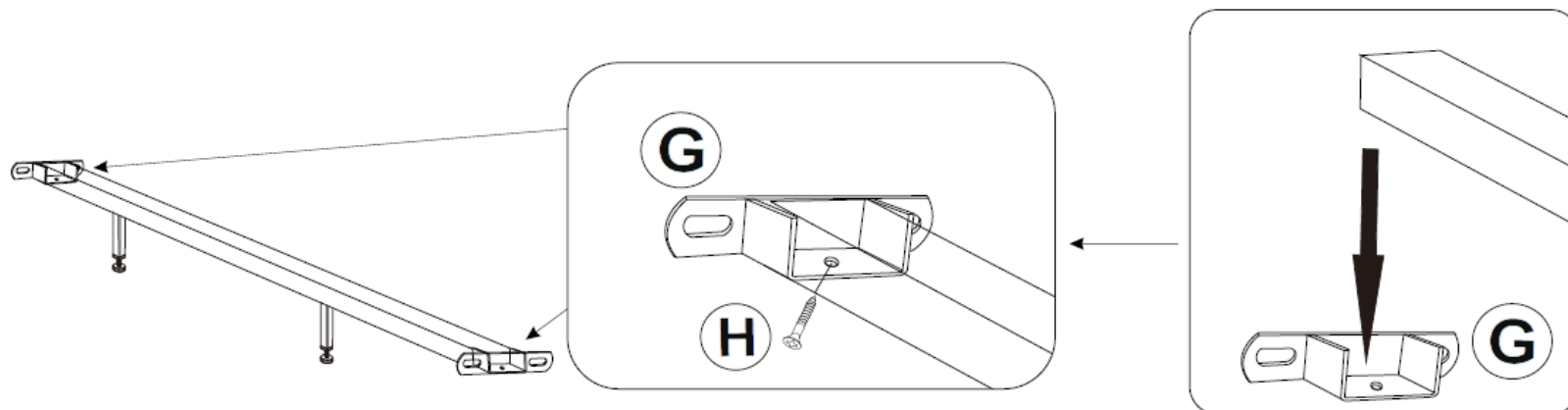
②



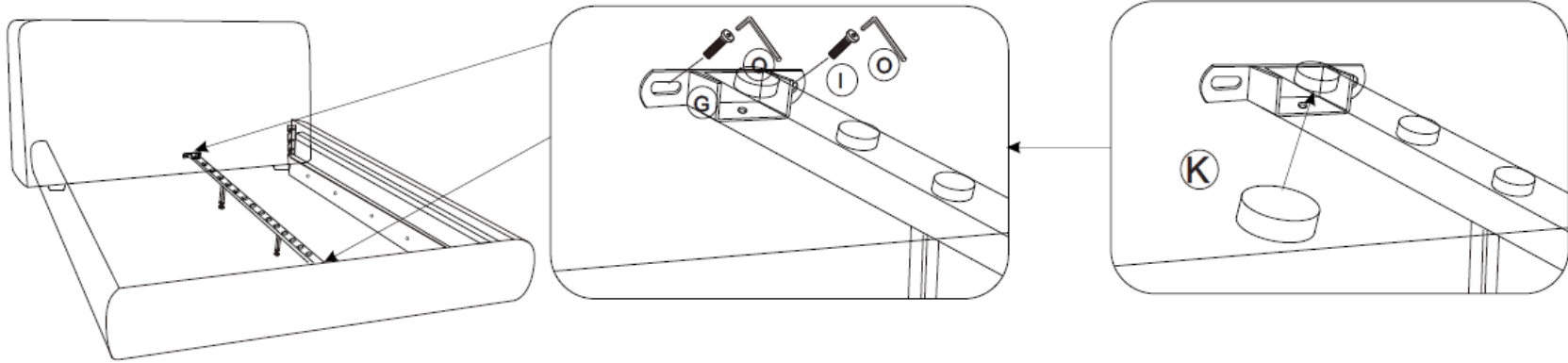
4.



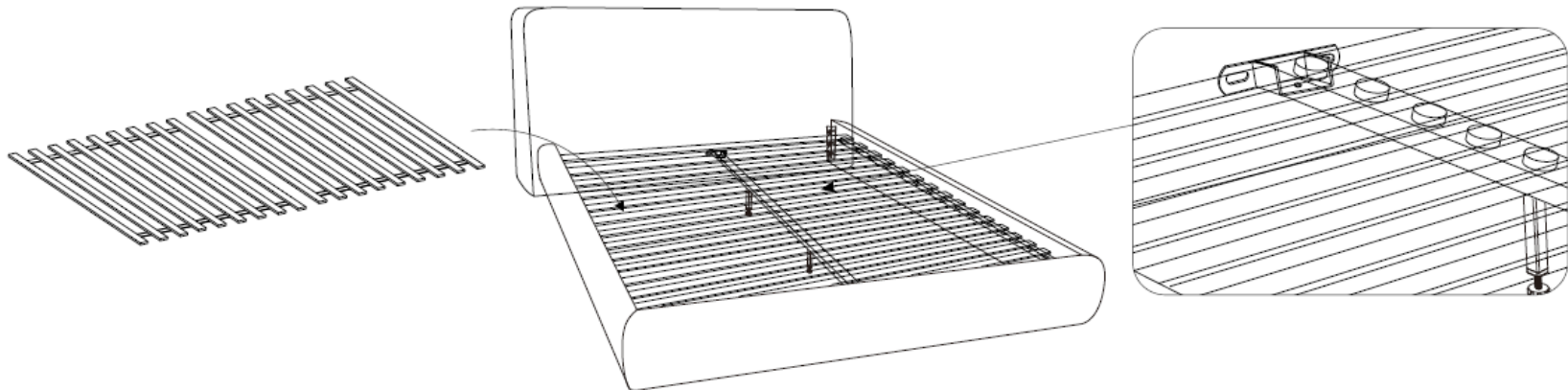
5.



6.



7.



8.

