







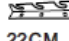

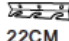

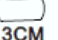

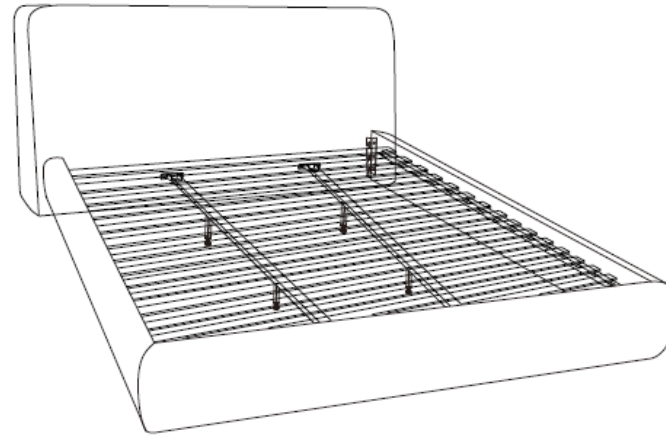
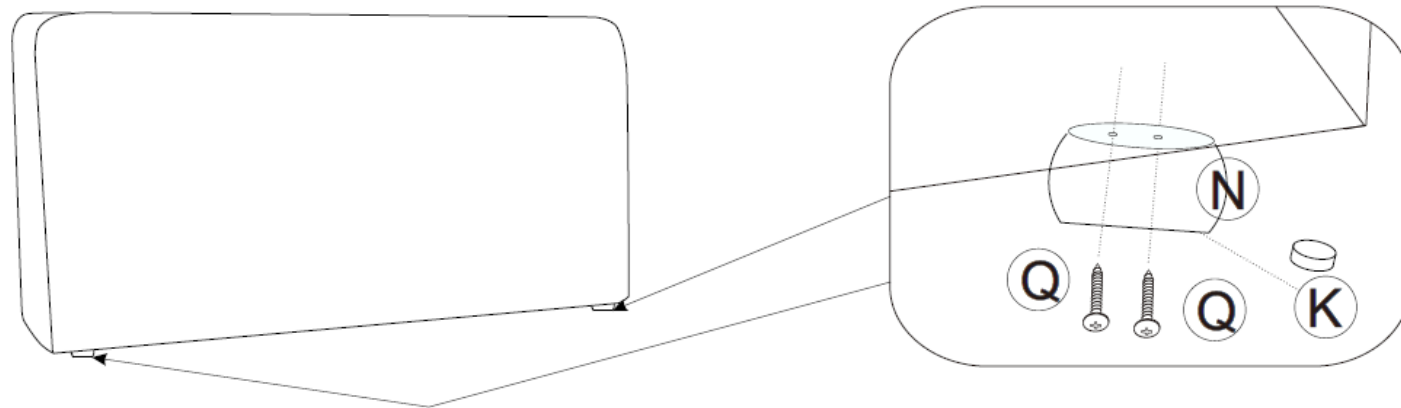


# K650#

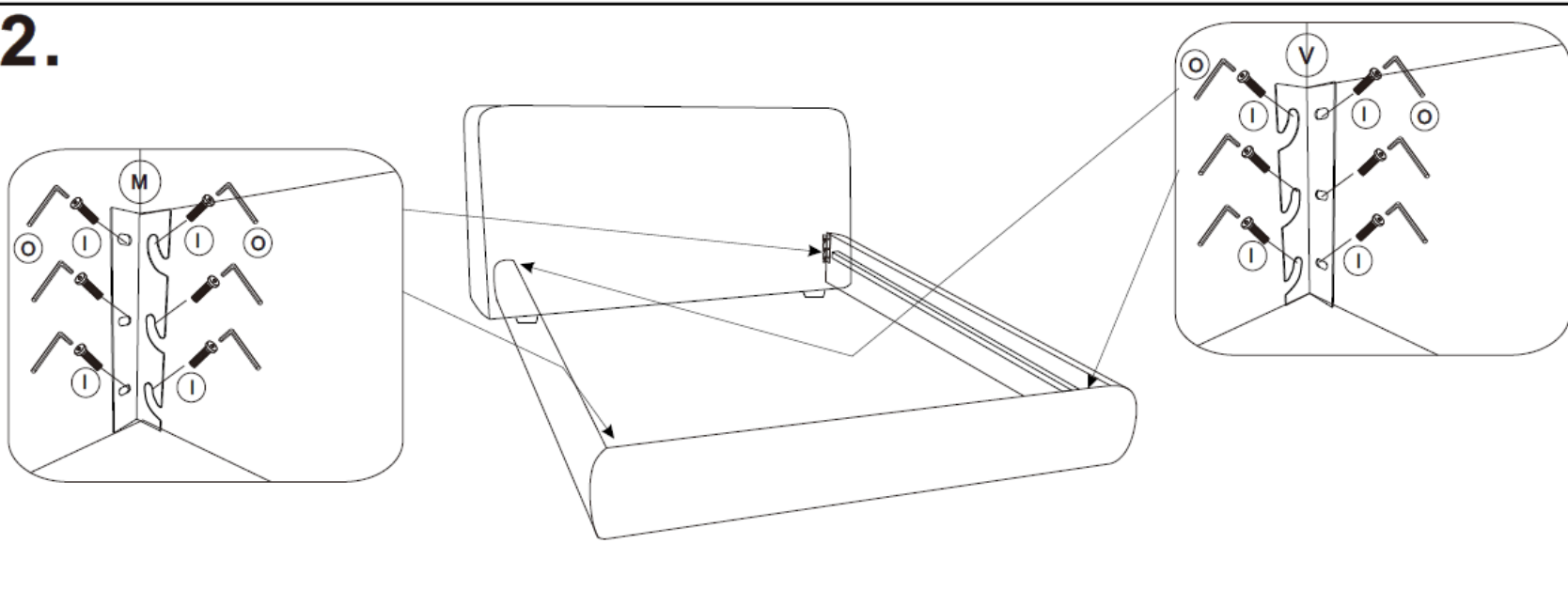
F:  x4 23CM	
G:  x4	
H:  x12 4X25MM	
I:  x32 M6x25MM	
J:  x8 M6x45MM	U:  x15 1CM
K:  x38 3MM	R:  x15 M6x40MM
V:  x2 22CM	Q:  X4 5CM
M:  x2 22CM	O:  x1 Ø5MM
N:  x2 3CM	P:  x1 Ø14MM



# 1.

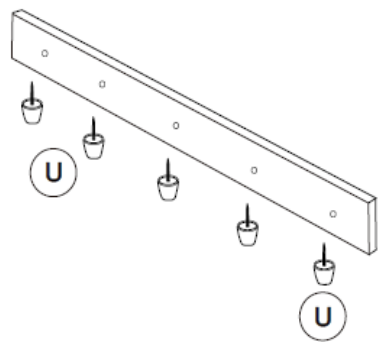


**2.**

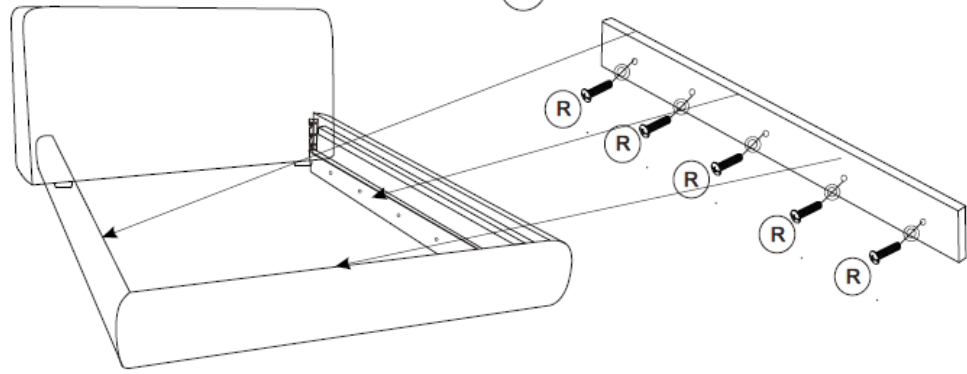


**3.**

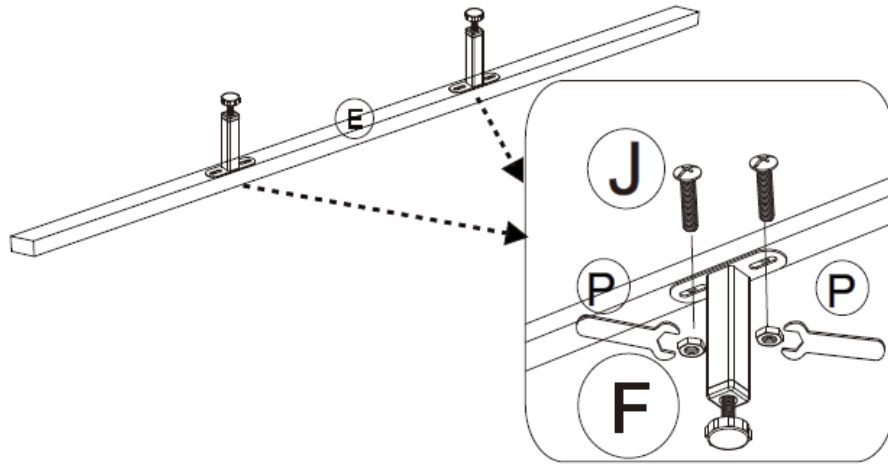
①



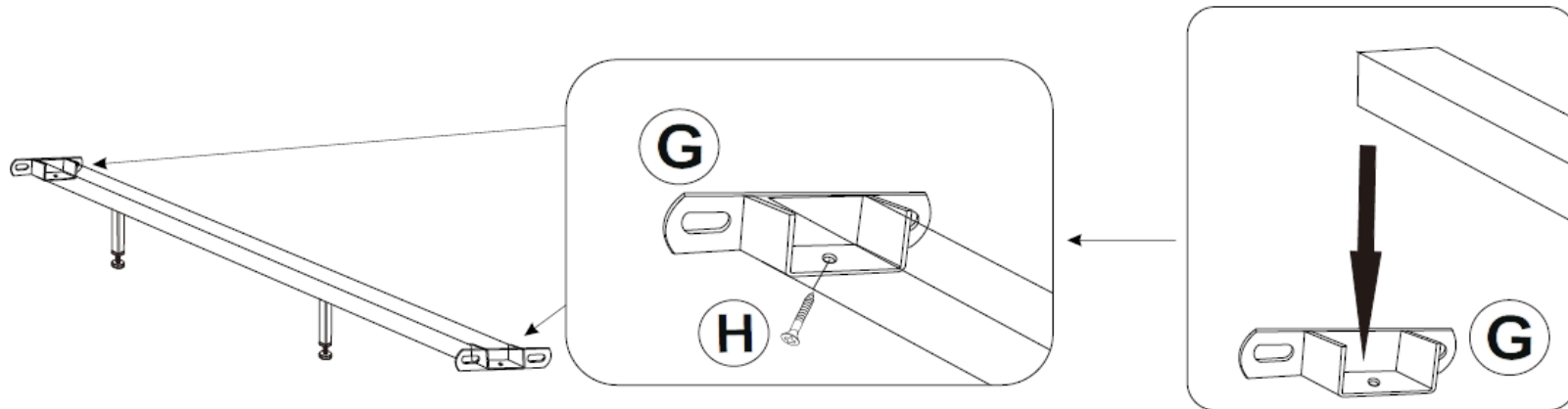
②



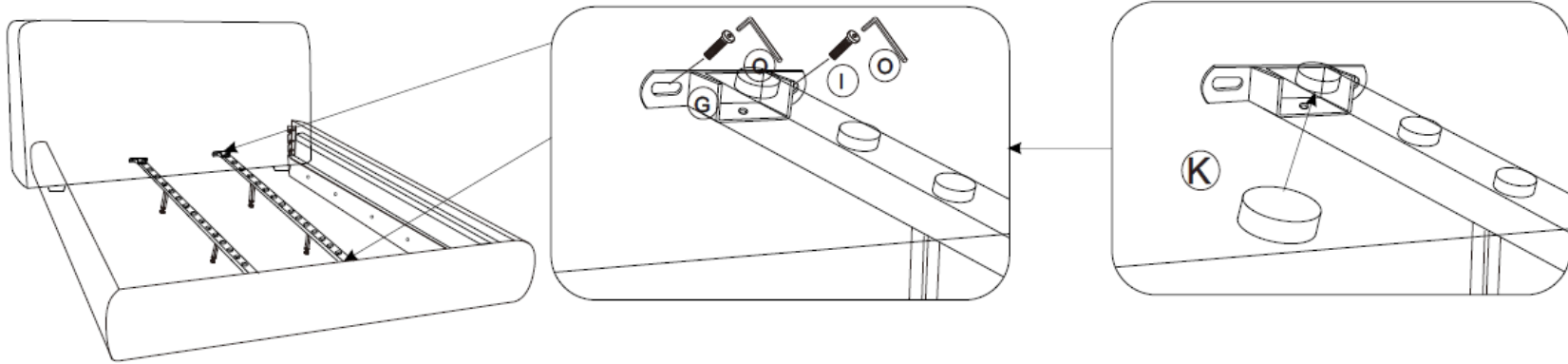
4.



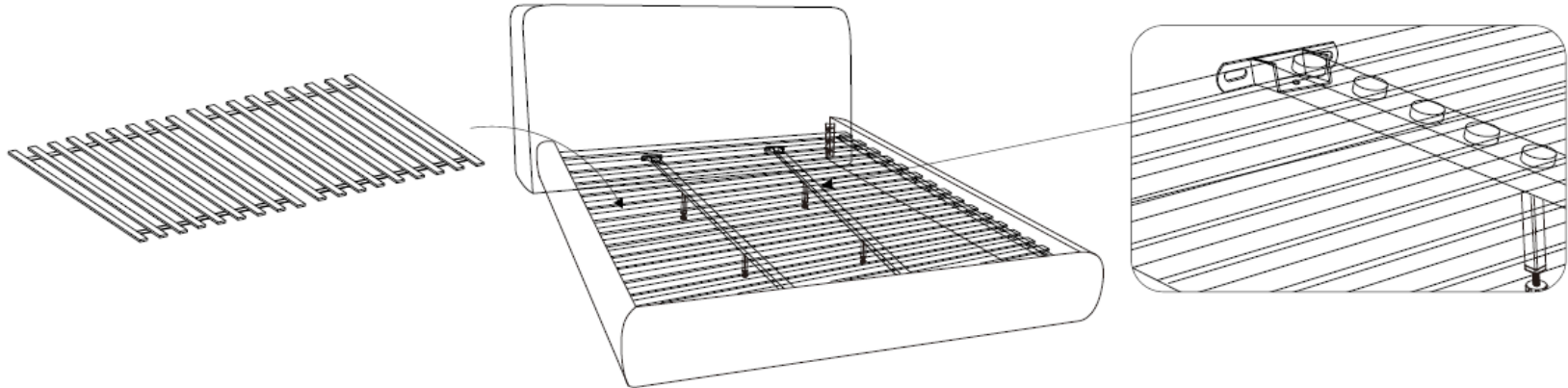
5.



**6.**



**7.**



8.

